

DUAL G, DUAL P - SPECIFICATIONS SHEET



DUAL G

Dual

Dual G boiler is multifuel device with automatic combustion of coal with a diameter of 5-25 mm or as version Dual P whit pellet burner for combustion pellets. Both models are equipped with a solid cast iron grate and cleaning mechanism for easy operation boiler.

FUEL

At work with the feeder recommended fuel is:

Coal having a diameter of 8-25 mm. In the version of the pellet burner DUAL P: pellet with a diameter of 6-8mm. Burning the coal on grates: 20 - 40 mm, wood.



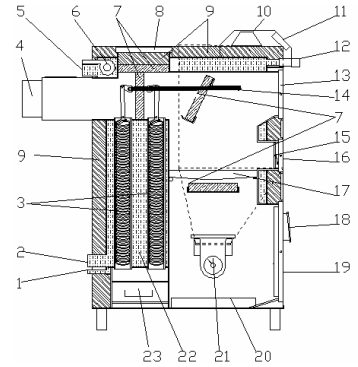
DUAL P

TECHNICAL DATA

Model			Dual 25 G/P	Dual 35 G/P
Power Range	Coal 8-25mm	kW	8-25	12-38
	Heat exchange surface	m ²	2,9	3,3
The efficiency of the burner		%	85-87%/89-90%	83-85%/89-90%
Water capacity		dm ³	130	140
Max working pressure		bar	2	2
Min. outlet temperature		°C	55	55
Min. outlet temperature		°C	90	90
Fluegases temperature at nominal power		°C	140-180	160-220
Fluegases temperature at minimal power		°C	100-130	100-150
Class wg. PN-EN – 303-5			III	III
Water-side resistance; Δt=10K		mbar	2-20	2-20
Water-side resistance; Δt=20K			0,5-5	0,5-5
Chimney pressure		Pa	20	20
Recommended chimney height		m	8	8
Recommended chimney section		cm ²	400	400
Cavity capacity loading		dm ³	52/35	65/52
Fuel tank capacity		dm ³	220	220
Fuel consumption at the nominal power	Coal 26MJ/kg	kg/h	4,07 kg/h	6,19 /26
	Pellets 19MJ/kg	kg/h	5,3	7,5
	wood on grates 16MJ/kg	kg/h	7,1/min2h	10,67/min2h
Power consumption		kW	0,27/0,48	0,27/0,48

BOILER CONSTRUCTION

1. Blowdown connection
2. Return connection
3. Smoke tubes with turbulizers
4. Flue outlet
5. Power Connector
6. Cooling coil (optional)
7. Partitions ceramic
8. Upper clearing hole
9. Thermal insulation (mineral wool)
10. Controller housing BN
11. Controller: Igneo Slim, Ecomax 800 or else.
12. Mechanical controller of hearth (option).
13. Loading door
14. Lever ash removal system (option)
15. Inner grate door
16. External grate door
17. Cast iron grate
18. Air flap
19. Ash door
20. Ash drawer
21. Iron retort burner
22. Water coat
23. Lower cleaning hole with drawer.



AUTOMATION



Controller FUZZY LOGIC Ecomax 800R. Supports domestic hot water pump and central heating pump, mixing valve, and cooperates with a room thermostat.

ADVANTAGES OF THE BOILER

- Dual furnace
- Modulating power
- exchanger cleaning system
- System „Duofuel“- opportunity to exchange the pellet burner on coal burner or vice versa

DIMENSIONS OF BOILER

Dual steely	25	35
A	1500	1600
B	1300	1300
C	1350	1350
D	350	350
E	1160	1260
F	1330	1430
a	2"	2"
b	1/2"	1/2"
c	2"	2"
d	180	180
e	1/2"	1/2"
f	1/2"	1/2"

EMISSION

Model	miano	DUAL 25 G/P	DUAL 35 G/P
CO Emission (O2=10%)	mg/m3	585/372	895/385
OGC Emission (O2=10%)	mg/m3	65/45	76/67
Dust Emission (O2=10%)	mg/m3	55/48	64/53

G/P – coal/pellet Installation diagram

